



Simplicity Bubblers
Chilled Beverage Dispensers 1x18 L,
agitator model with locking lid and UK
plug

ITEM # _____

MODEL # _____

NAME # _____

SIS # _____

AIA # _____



CCCRKU (ECSID22UK) * NOT TRANSLATED *

Main Features

- Agitation function for fresh juices, coffees, or teas with minimal foaming system.
- Easy-off bowl release system for faster and easier assembly and disassembly.
- User friendly design enables machine to dispense product till the very last drop.
- Dispense 18 L in easy-clean bowl with 23 cm cup clearance.

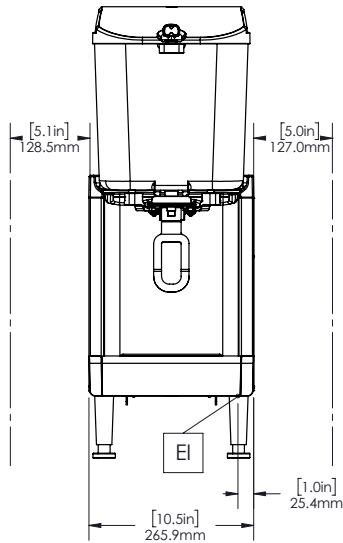
Construction

- Compact size of 27 cm wide saves valuable counter space.
- Temperature range from 1.7 - 5° C.
- Refrigerant type: R290.
- Pre-mix dispenser with stainless steel base and clear plastic bowls.
- Fewer removable parts to simplify cleaning and reduce maintenance.
- The air intakes from the bottom and exhaust to back.
- Locking lid for added safety against tampering.

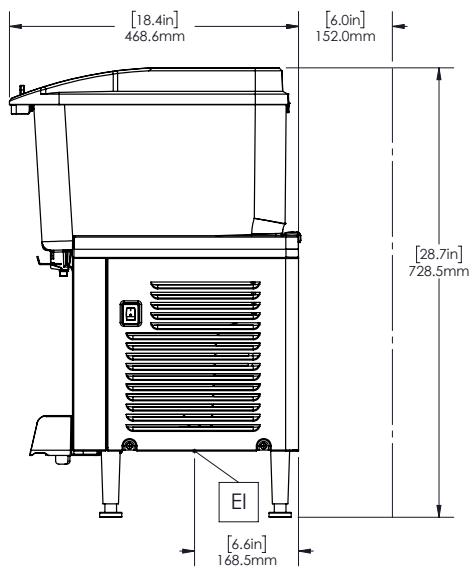
APPROVAL: _____



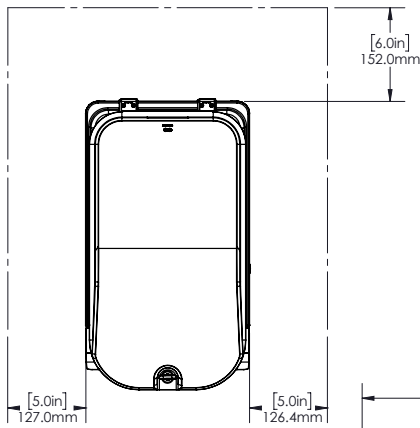
Front



Side



Top



Electric

Supply voltage:

CCCRKU (ECSID22UK) 220-240 V/1N ph/50/60 Hz

Electrical power max.:

0.4 kW

Key Information:

| | |
|------------------------------|--------|
| External dimensions, Width: | 267 mm |
| External dimensions, Depth: | 451 mm |
| External dimensions, Height: | 729 mm |
| Net weight: | 20 kg |
| Shipping weight: | 24 kg |
| Shipping height: | 640 mm |
| Shipping width: | 500 mm |
| Shipping depth: | 390 mm |

Sustainability

| | |
|---------------------|------|
| Refrigerant type: | R290 |
| Refrigerant weight: | 50 g |